

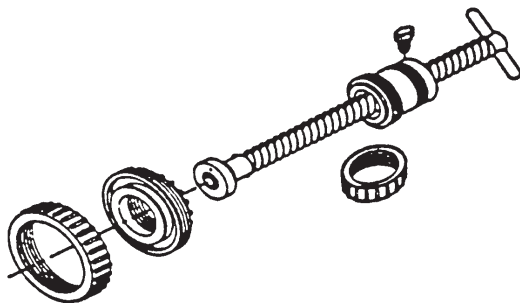
injection guns

Use

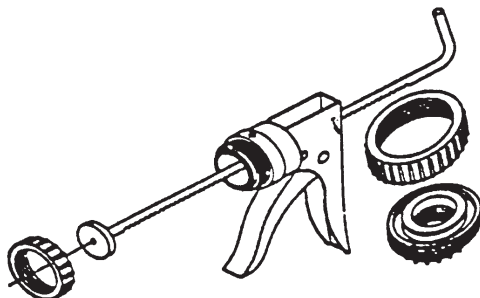
Designed for the field application of sealants and/or compounds packaged in Semco® plastic Semkit® cartridges. The S-90 and S-99 guns can be used with 2 oz., 6 oz., 8 oz., and 20 oz. cartridges.

Description

The S-90 is a low-cost plastic screw type injection gun designed for the economical application of material. The gun can be adjusted for a quick forced injection of material or for a slower input rate as back pressure increases. Includes a 20 oz. cartridge adapter and extra injection handle lock screws.



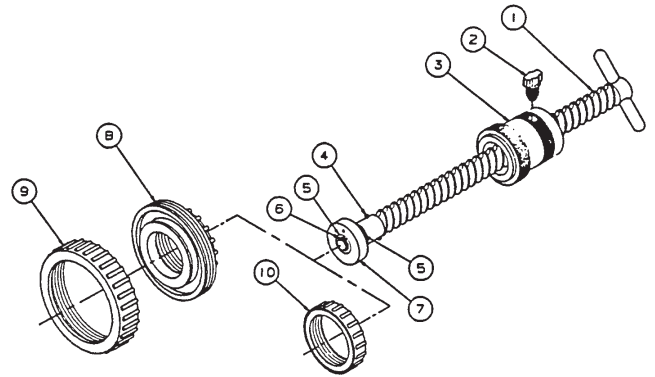
The S-99 is a high quality metal ratchet type injection gun. Designed for toughness, durability, and long service. It includes a 20 oz. adapter.



injection guns

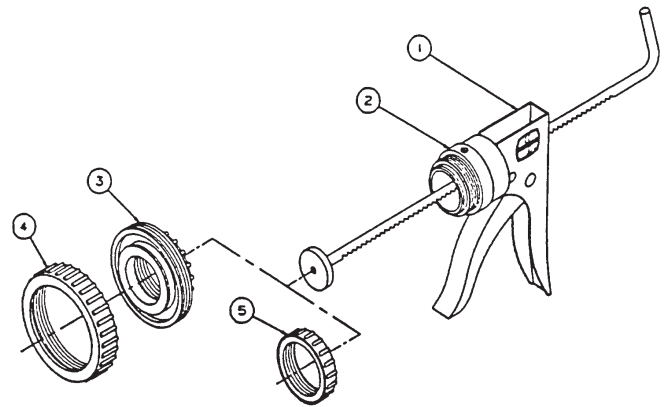
Model S-90 gun assembly

	Part number	Descriptions
1	232651	Drive screw, machined
2	231394	Lock screw
3	231393	Screw body, machined
4	269440	Roll pin
5	221790	Washer
6	221788	Retaining ring
7	221791	Ram head
8	229775	Adapter, 20 oz.
9	231972	Bezel, 20 oz.
10	222814	Bezel, 6 oz.



Model S-99 gun assembly

	Part number	Descriptions
1	237388	Handle assembly
2	229959	Adapter
3	229775	Adapter, 20 oz.
4	231972	Bezel, 20 oz.
5	222814	Bezel, 6 oz.



Semco and Semkit are trademarks of PRC-DeSoto International, Inc., registered with the U.S. Patent Office.

All recommendations, statements, and technical data contained herein are based on tests we believe to be reliable and correct, but accuracy and completeness of said tests are not guaranteed and are not to be construed as a warranty, either expressed or implied. User shall rely on his own information and tests to determine suitability of the product for the intended use and assumes all risks and liability resulting from his use of the product. Seller's and manufacturer's sole responsibility shall be to replace that portion of the product of this manufacturer which proves to be defective. Neither seller nor manufacturer shall be liable to the buyer or any third person for any injury, loss, or damage directly or indirectly resulting from use of, or inability to use, the product. Recommendations or statements other than those contained in a written agreement signed by an officer of the manufacturer shall not be binding upon the manufacturer or seller.