

TECHNICAL DATA

Semco® Model 550 Sealant Gun

Description

The Semco® Model 550 sealant gun is designed for the pneumatic application of sealant, caulking, adhesive, and other compounds packaged in Semco® 1/10th gallon, 20, and 32 oz. cartridges. Parts are available to convert the gun from one size to another. Air hoses to operate the gun must be ordered separately.

These lightweight guns are constructed of cast aluminum and other durable materials. The 1/10 gallon cartridge retainer is secured to the gun via a springloaded quick-disconnect using the bayonet locking feature on the retainer. The 20 and 32 oz. retainers can be quickly and easily attached to the gun using a threaded bezel.

Features

- Reduces applied material cost
- Provides accurate material control
- Lightweight
- 0-100 psi (0-6.9 bar) operating range
- Available in 20, 32 oz. and 1/10th gallon sizes
- Durable, shock resistant parts
- Touch control on trigger regulates flow
- Positive control for smooth, even dispensing
- Quiet operation

Caution:

(Please refer to diagram on reverse side.)

- Separation of the retainer/cartridge from the gun handle can occur while the gun is under pressure, resulting in possible injury.
- Ensure Metal Bezel (Item 28 or 30) is threaded completely to the Metal Adapter (Item 25) and the Metal Adapter (Item 25) is threaded completely to the Metal Adapter (Item 23). Both connections if done improperly presents risks of separation.

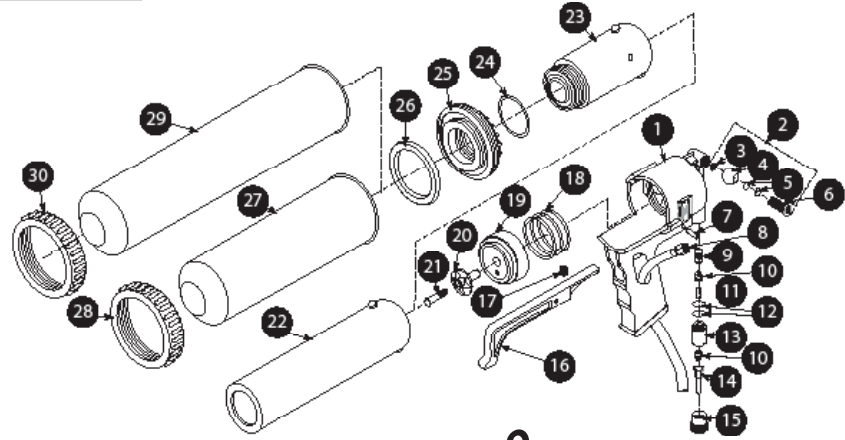
- Replace the Retainer (Item 23, 27, or 29) if it becomes damaged, dented, or cracked. Keep the retainer clean by removing any accumulated material.
 - Replace the Bezel or Adapter that is damaged, cracked, or has damaged or missing threads.
 - Do not exceed 100psi inlet pressure.
- Do not allow material build up on the face of, or under the Seal (Item 26).



Semco® Model 550 Sealant Gun

Item	Part no.	Description
1	231874	Handle assembly, metal
2-6	228549	Swivel assembly
3	228549	Washer
4	228549	Swivel
5	228549	O-Ring
6	228549	Swivel bolt
7	N/A*	Spring pin
8	Hose assemblies (see table)	
9-15	234906	Stem & Seat Repair Kit
9	234906	Poppet spring
10	234906	Poppet
11	234906	Plunger
12	234906	O-Ring
13	234906	Seat
14	234906	Stem
15	234906	Retainer
16	N/A*	Trigger
17	N/A*	Spring
18-21	234905	Seal Repair Kit
18	234905	Seal spring
19	234905	Seal
20	234905	Seal retainer
21	234905	Screw
22	231903	Metal retainer, 1/10 gallon
23	231898	Adapter, metal
24	229682	O-Ring
25	232399	Adapter, metal
26	229890	Seal
27	229740	Metal retainer, 20 oz.
28	232400	Metal bezel, 20 oz.
29	233620	Metal bezel, 32 oz.
30	234982	Metal bezel, 32 oz.
	229752	Retainer assembly 20 oz. (not shown)
	233695	Retainer assembly 32 oz. (not shown)
	231555	Model 550-1/10 gallon gun assembly
	233618	Model 550-20 oz. gun assembly
	233688	Model 550-32 oz. gun assembly

N/A - No longer available, part of the handle assembly part number 231874.



For custom hose assembly and repair of hoses, the following components are available:

Components available

Description	Part no.
Hansen connector assembly	229186
Aro connector assembly	229187
Schrader connector assembly	229188
B-Nut assembly (gun end)	229189
Bulk gun hose (sold by the ft.)	220895

Hose assemblies

Hansen	Schrader	Aro	Length
280000	280006	280012	5 ft.
280001	280007	280013	10 ft.
280002	280008	280014	15 ft.
280003	280009	280015	20 ft.
280004	280010	280016	25 ft.
280005	280011	280017	30
231876	Universal hose assembly		
	5 ft. with 1/4" NPT fitting		
232649	Universal hose assembly		
	10 ft with 1/4" NPT fitting		

Hose assemblies must be ordered separately (for use with sealant gun). Complete with Hansen, Schrader or Aro connector to fit air source, B-Nut connector on end to fit onto gun.

Semco is a trademark of PRC-DeSoto International Inc., registered with the U.S. Patent Office.

All recommendations, statements, and technical data contained herein are based on tests we believe to be reliable and correct, but accuracy and completeness of said tests are not guaranteed and are not to be construed as a warranty, either expressed or implied. User shall rely on his own information and tests to determine suitability of the product for the intended use and assumes all risks and liability resulting from his use of the product. Seller's and manufacturer's sole responsibility shall be to replace that portion of the product of this manufacturer which proves to be defective. Neither seller nor manufacturer shall be liable to the buyer or any third person for any injury, loss, or damage directly or indirectly resulting from use of, or inability to use, the product. Recommendations or statements other than those contained in a written agreement signed by an officer of the manufacturer shall not be binding upon the manufacturer or seller.

Printed in the U.S.A

Authorized Distributor:
Bergdahl Associates, Inc.
2990 Sutro Street
Reno, Nevada 89512-1616
775-323-7542
www.bergdahl.com

Issue Date: 10/11
Supersedes: 12/10
Lit: 0586

Discontinued - Replaced by Semco Model #250-20 and Model #250-32