

TECHNICAL DATA

Semco® Model 388 Mixer

Description

The Semco® model 388 Semkit® package mixer provides complete automatic mixing of filled Semkit® packages. Use of the mixer will reduce worker fatigue and assures the user a more thorough and consistent mix kit to kit.

Complete mixing of a Semkit® package is achieved by stroking the rotating dasher rod from one end of the filled cartridge to the other. The rod stroking is accomplished through a reversing air cylinder. Rotation of the dasher rod is accomplished by using a low speed, high torque gear motor. The timer automatically shuts off the mixer when the pre-set mix cycle has been completed. The mixer is made of heavy duty construction to withstand the rigors of industrial use.

Use of this mixer on a production line will significantly increase productivity. While one Semkit® package is mixing, the other can be dispensed.

Features

- Quick disconnect bayonet lock cap permits rapid cartridge change.
- During operation, constant pressure is exerted on the plunger to reduce induction and entrapment of air into the material.
- A simple spindle change and two-way stroke adjustment permits mixing of 2.5, 6 and 8 oz. packages with the standard model.
- The timer automatically shuts off the mixer at a pre-set mix time.
- Dual way shafts with oilite bearings provide smooth strokes and longer machine life.
- Operating requirements: 40 to 90 PSI, (1.2 CFM), and 115 VAC electric.
- Shipping weight: 75 lbs.

Available in four models:

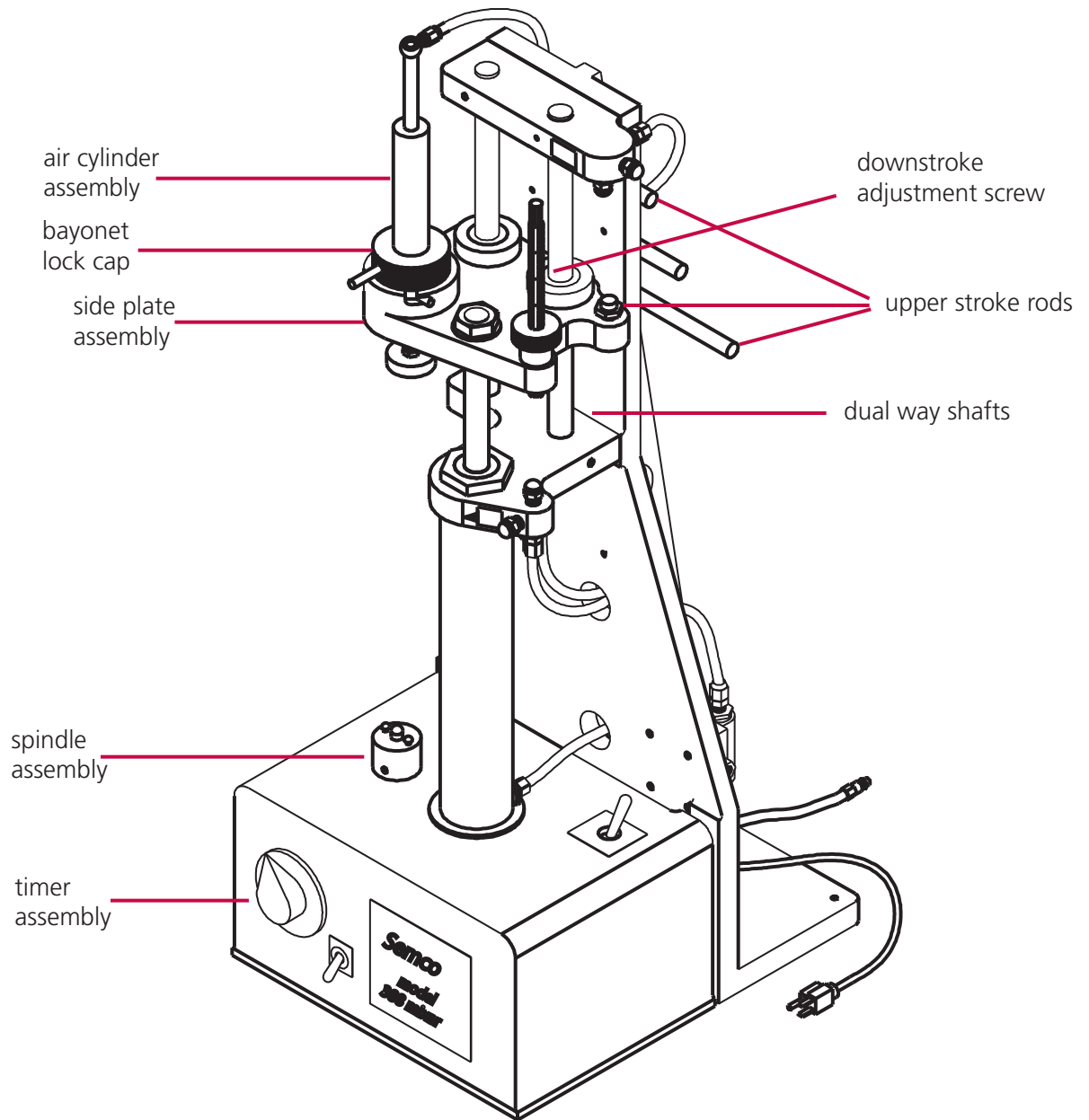
- Standard
- 1 oz.
- 1/10 gallon
- 20 oz.

(Standard size fits 2.5, 6 and 8 oz. Semkit® packages.)

Part no.	Description
221269	Model 388 standard for use with 2.5, 6 and 8 oz. Semkit® packages NSN #4940-00-492-9268.
230323	Model 388-1/10 for use with the 1/10 gallon Semkit® package.
231145	Model 388-20 for use with the 20 oz. Semkit® package.
232410	Model 388-1 for use with the 1 oz. (mini) Semkit® package.



Semco® Model 388 Mixer



Semco and Semkit are trademarks of PRC-DeSoto International Inc., registered with the U.S. Patent Office.

All recommendations, statements, and technical data contained herein are based on tests we believe to be reliable and correct, but accuracy and completeness of said tests are not guaranteed and are not to be construed as a warranty, either expressed or implied. User shall rely on his own information and tests to determine suitability of the product for the intended use and assumes all risks and liability resulting from his use of the product. Seller's and manufacturer's sole responsibility shall be to replace that portion of the product of this manufacturer which proves to be defective. Neither seller nor manufacturer shall be liable to the buyer or any third person for any injury, loss, or damage directly or indirectly resulting from use of, or inability to use, the product. Recommendations or statements other than those contained in a written agreement signed by an officer of the manufacturer shall not be binding upon the manufacturer or seller.

Printed in the U.S.A

Authorized Distributor:
Bergdahl Associates, Inc.
2990 Sutro Street
Reno, Nevada 89512-1616
+1 775 323-7542
www.bergdahl.com

Issue Date: 12/10
Supersedes: 02/99
Lit: 0607