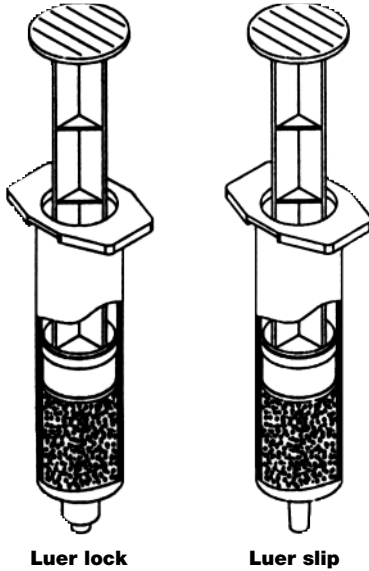


## Semco® syringe dispensing components

Semco® disposable plastic syringes are available in 1cc, 3cc, 6cc, 10cc, 20cc, 35cc and 60cc capacities for both manual and pneumatic dispensing. Plastic syringes are designed for the precise application of discrete amounts of material. These syringes are ideal for electronics and various other small assembly operations. They facilitate the application of adhesives, solder pastes and masks, sealants, potting compounds, greases and many other materials.



### Features

High quality, precision molded polypropylene syringe barrels and plunger rods with flexible stoppers. (Polyethylene is available through special order.)

Syringe barrels are translucent for excellent visibility of material level.

All syringe components resist most chemicals.

Ideal for pre-mixed and frozen material application.

Luer slip tip assures interference fit of blunt end dispensing needles.

Luer lock tip assures secure affixing of blunt end dispensing needles.

Can be fitted with Sem-Needles or Semflex Needles. (See back page for selection.)

Barrels also are available in opaque colors.

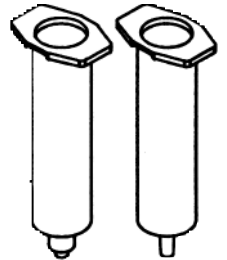
UV blocking barrels are available in translucent and opaque colors.

Non-sterile for industrial use only.

### Components

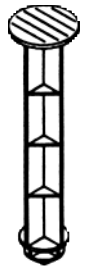
#### Disposable plastic syringe barrel

Size (cc)	Luer lock part no.	Luer slip part no.
1	N/A	310107
3	310316	310307
6	310616	310607
10	311016	311007
20	312016	312007
35	313516	313507
60	316016	316007



#### Plunger rod

Size (cc)	Part no.
1	310102
3	310302
6	310602
10	311002
20	312002
35	313502
60	316002



#### P-Stopper

Size (cc)	Part no.
1	310105
3	310305
6	310605
10	311005
20	312005
35	313505
60	316005

