

technical data

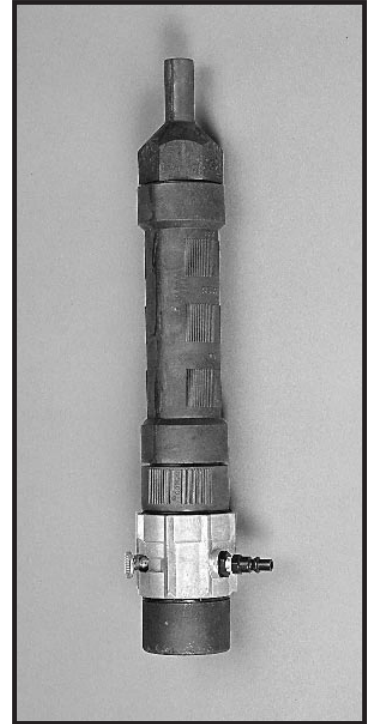
Semco® model 507-A gun

Semco® high pressure injection gun (P/N 221162)

The Semco® model 507-A high pressure injection gun is designed for the post assembly injection of Mil-S-8802 Class B sealants into confined areas and voids, including channel sealing and areas that require material to be injected through small orifices under pressure.

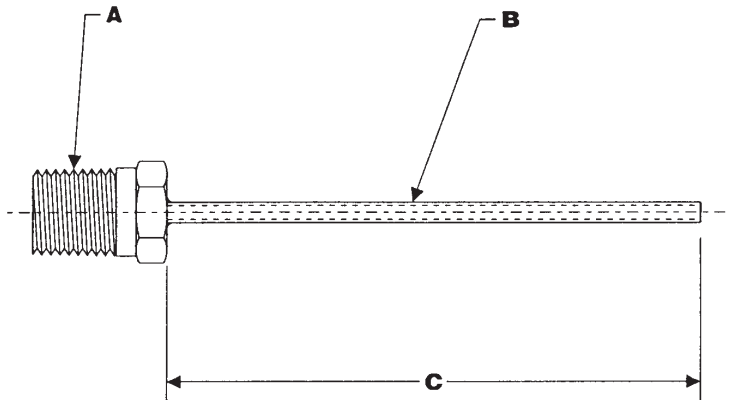
The Semco® model 507-A gun is designed to accept sealants that are prepackaged in Semco® 6 oz. polyethylene cartridges and equipped with a Semco® plugged wiper plunger. The gun cap is threaded to accept a 1/8" pipe thread needle nozzle (see reverse side for 1/8 NPT Semco® stainless steel needle nozzles) or zerk type connector.

The ram rod has a diameter of 3/16" and a stroke of 1" . Each forward stroke delivers .027 cubic inches of material. Air pressure on the power head piston is multiplied by a factor of 40:1 at the nozzle end of the ram rod.



**Semco® high pressure injection gun
(P/N 221162)**

Semco® stainless steel needle nozzles



Part no.	A	B		C	Tip	Gun to be used on
	Plug size	Tube O.D.	Tube wall	Tube length		
225303	1/8	.093	.020	4.0	F	507-A
225321	1/8	.125	.020	4.0	F	507-A
225332	1/8	.187	.020	4.0	F	507-A
226290	1/8	.187	.020	12.0	F	507-A

F = Flat tip P = Pointed tip All dimensions are in inches.

Semco is a trademark of PRC-DeSoto International, Inc., registered with the U.S. Patent Office.

All recommendations, statements, and technical data contained herein are based on tests we believe to be reliable and correct, but accuracy and completeness of said tests are not guaranteed and are not to be construed as a warranty, either expressed or implied. User shall rely on his own information and tests to determine suitability of the product for the intended use and assumes all risks and liability resulting from his use of the product. Seller's and manufacturer's sole responsibility shall be to replace that portion of the product of this manufacturer which proves to be defective. Neither seller nor manufacturer shall be liable to the buyer or any third person for any injury, loss, or damage directly or indirectly resulting from use of, or inability to use, the product. Recommendations or statements other than those contained in a written agreement signed by an officer of the manufacturer shall not be binding upon the manufacturer or seller.