

Semco® Customized Solutions

Sealant Spreading & Removal Tools



What are Semco® Sealant Spreading & Removal Tools?

Semco® Sealant Spatulas and Spreaders are manufactured in special reinforced plastic for precise tooling of sealants and adhesives. The Semco® Scraper is designed to remove cured sealant in various aircraft applications (OEM and aftermarket). Operators are now able to utilize the ergonomic design of the Semco® Sealant Scraper to more effectively remove cured material from the targeted substrates.

Semco® Scraper Blade Technology

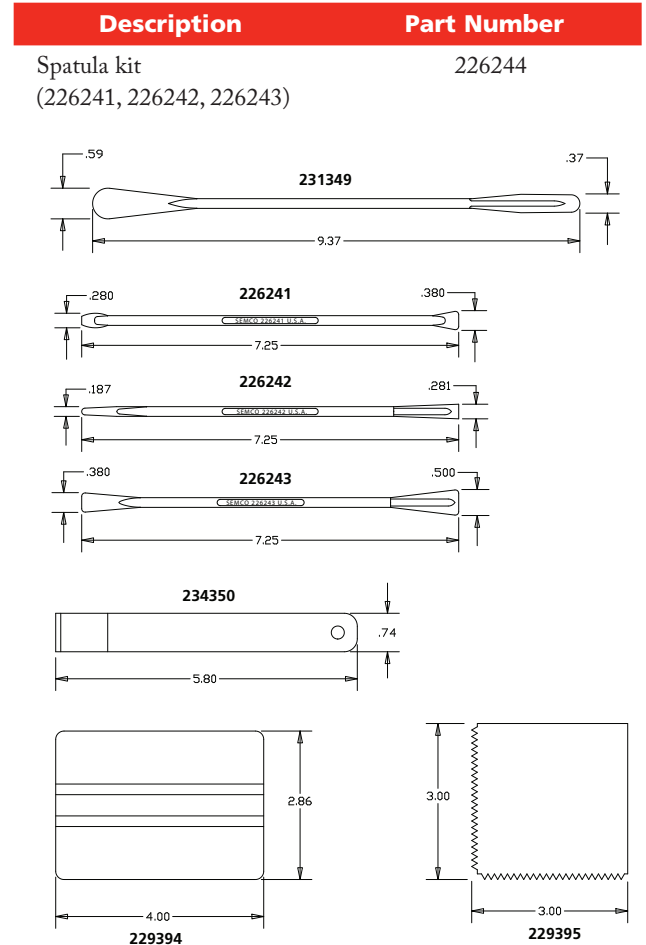
This scraper is fabricated from Celcon® POM and will not scratch or score aluminum substrates.

Typical Uses

The Semco® Scraper (# 234350) has been evaluated and approved by Boeing as an approved tool for the removal of cured sealant. It has been listed in Boeing's BAC 5000 process specification.

All recommendations, statements, and technical data contained herein are based on tests we believe to be reliable and correct, but accuracy and completeness of said tests are not guaranteed and are not to be construed as a warranty, either expressed or implied. User shall rely on his own information and tests to determine suitability of the product for the intended use and assumes all risks and liability resulting from his use of the product. Seller's and manufacturer's sole responsibility shall be to replace that portion of the product of this manufacturer which proves to be defective. Neither seller nor manufacturer shall be liable to the buyer or any third person for any injury, loss, or damage directly or indirectly resulting from use of, or inability to use, the product. Recommendations or statements other than those contained in a written agreement signed by an officer of the manufacturer shall not be binding upon the manufacturer or seller.

Semco is a trademark of PRC-DeSoto International, Inc.
Celcon is a trademark of Celanese Corporation of America.



All Dimensions are in inches